



Item # \_\_\_\_\_

Job \_\_\_\_\_

# METRO® HEATED BANQUET CABINETS

## Two-Door Versions

**Control to serve meals hot and on time, every time.**

**Maximum Capacity:** Two-door versions offer the greatest accessibility to the contents of the cabinet. Designed to hold 11<sup>3</sup>/<sub>4</sub>" (up to 12<sup>3</sup>/<sub>4</sub>" ) diameter covered plates. Also holds full-size sheet pans front-to-back on shelves or in optional Mini Rack slide system.

**Versatile Thermal Performance:** Standard Electric and Quad-Heat™ Dual Fuel thermal systems available.

**Superior Thermal Stratification:** Available Quad-Heat™ Dual Fuel canned fuel system utilizes corner chimneys to provide even thermal stratification, channeling warm air throughout the cabinet, surrounding meals with uniform heat. By utilizing the "dead" space in the corners, Quad-Heat™ maximizes the volume of the cabinet while minimizing the space it requires. Easy-to-access drawers allow canned fuel to be monitored and replaced without opening doors.

**Control:** Three-Point-Control Handle is designed with the user in mind. Ergonomically designed for pushing and pulling from both the side and the front. Optional Swing-Up Handle provides additional control and visibility when moving the cabinet.

**Hands-Free Access:** Kick-Latch provides access to the cabinet when hands are full.

**Maneuverability:** Optional swivel lock caster system allows cabinet to be moved in-and-out-of-line without "dragging". Rigid casters can be made to swivel for movement in tight spaces and automatically switch back to rigid when needed for moving down halls.

**Reliability:** High-performance 1650 watt heating module is easy to remove, without tools, for scheduled cleaning and service. Side-mounted power cord is easy-to-access and does not obstruct doors.

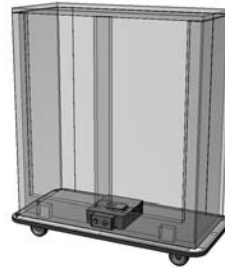
**Intelligence:** All important information is found in one easy-to-use, easy-to-read place.

- Time — Exclusive multi-function count-up/count-down timer.
- Temperature — Accurate and easy to read thermometer.
- Contents — Dual function "white-board" and clip-board for labeling.

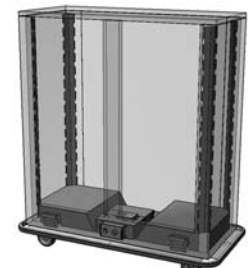
**Energy Star:** All Metro Heated Banquet Cabinet models are Energy Star.



MBQ-200D-QH — 200 Plate Capacity with Quad-Heat™ Dual Fuel



Standard Electric Thermal System



Quad-Heat™ Dual Fuel Thermal System

### Options and Accessories:

- Swing-Up Handle
- Travel Latch
- 8" Casters
- 8" Pneumatic Casters
- Swivel Lock Casters
- 8" Swivel Lock Casters
- 220 Volt, 50/60 Hz Version
- 20 amp Plug
- Swing-Up Shelf Accessory
- Covered Plate Carrier
- Open Plate Carrier
- Mini-Rack



**InterMetro Industries Corporation**  
North Washington Street  
Wilkes-Barre, PA 18705  
www.metro.com



**Metro® Heated Banquet Cabinets Two-Door Versions**

**13.32**



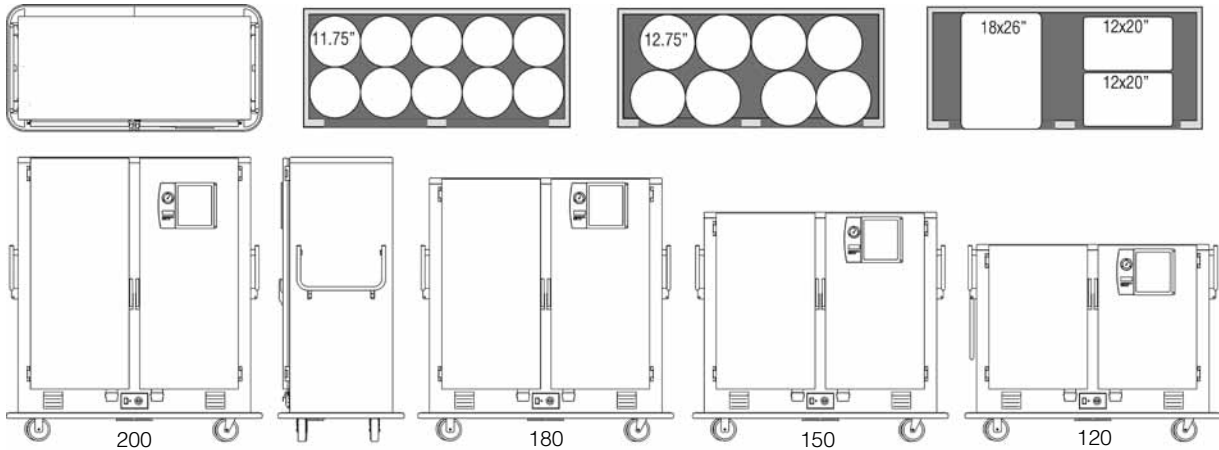
# METRO® HEATED BANQUET CABINETS

## Two-Door Versions

### Specifications

- **Construction:** Welded, reinforced, stainless steel "edgeless" construction.
- **Cabinet Materials:** Type 304 stainless steel; 20-gauge polished exterior; 22-gauge interior.
- **Casters:** Heavy-duty, 6" diameter polyurethane casters with 2" tread width. Ball bearing swivel race and roller bearing axle with zerk grease fittings. Plate-mounted and staggered. Two rigid and two swivel with brakes.
- **Bumper:** Non-marking, solid vinyl bumper mounted to 1/8" thick aluminum support channel with closed corners.
- **Insulation:** Full, 1" thick high-density fiberglass. R Value=4.2.
- **Doors:** Insulated, welded, double-panel Type 304 stainless steel doors; 20-gauge polished exterior; 22-gauge interior.
- **Hinges:** Lift-off, double hinged, with long-life nylon bearings.
- **Gaskets:** High-temperature, cabinet-mounted, santoprene gaskets.
- **Latches:** High-strength magnetic pull latch and bottom-mounted kick latch on each door.
- **Handle:** Unique Three-Point-Control Handle. 1" diameter stainless steel construction with integral cord wrap standoffs.
- **Shelves:** Nickel-chrome plated, removable wire shelves. Heavy-duty, non-flattening shelf brackets.
- **Thermometer:** Easy-to-read analog thermometer with remote protected sensing bulb.
- **Timer:** Dual-function count-up and count-down timer.
- **Content Labeling:** Multi-function white-board/clipboard for use with dry-erase marker or any size paper label.
- **Size and Capacity:** Two-door models accommodate 11<sup>3</sup>/<sub>4</sub>" (up to 12<sup>3</sup>/<sub>4</sub>" ) covered plates (diameter of cover) and full-size sheet pans, front-to-back on shelves.
- **Electric Heating System:** Bottom, mounted heat module. Dial thermostatic control. High-temperature ball bearing blower motor. 1650 watt, 120 VAC, 13.8 amp, 15 ft., 3-wire lead cord with NEMA 5-15P plug (20 amp for CUL). Removable without tools.
- **Canned Fuel System — Quad-Heat™ Dual Fuel:** Bottom-mounted drawers on each side of the cabinet, with heat conduction baffles in combination with corner chimneys. Anti-tip drawers hold cans securely. Vented for proper combustion.
- **Thermal Performance:** Electric pre-heat to 170° F (76° C), actual internal temperature, in approximately 30 minutes (based on 120 capacity size).

Metro Heated cabinets are for hot food holding applications only.



Cat. No.	Thermal System	11 <sup>3</sup> / <sub>4</sub> " Plate Capacity				12 <sup>3</sup> / <sub>4</sub> " Plate Capacity	Stacked High	Shelf Size (in.)	Shelves	Shipping Clearance (in.)	Height (in.)	Depth (in.)	Width (in.)	Weight (lbs.)
		Stacked	Covered Carrier	Open Carrier	Capacity									
MBQ-200D	Standard	200	200	160	160	5	59x24	4	14	75.0	33.375	67.25	633	
MBQ-200D-QH	Quad-Heat	200	200	160	160	5	59x24	4	14	75.0	33.375	67.25	668	
MBQ-180D	Standard	180	180	150	144	6	59x24	3	17	69.5	33.375	67.25	595	
MBQ-180D-QH	Quad-Heat	180	180	150	144	6	59x24	3	17	69.5	33.375	67.25	630	
MBQ-150D	Standard	150	150	120	120	5	59x24	3	14	60.5	33.375	67.25	531	
MBQ-150D-QH	Quad-Heat	150	150	120	120	5	59x24	3	14	60.5	33.375	67.25	566	
MBQ-120D	Standard	120	120	100	96	6	59x24	2	17	52.0	33.375	67.25	483	
MBQ-120D-QH	Quad-Heat	120	120	100	96	6	59x24	2	17	52.0	33.375	67.25	518	

NOTE: Capacities based on maximum plate and cover height of 2<sup>3</sup>/<sub>4</sub>".

All Metro Catalog Sheets are available on our Web Site: [www.metro.com](http://www.metro.com)



**InterMetro Industries Corporation**  
 North Washington Street, Wilkes-Barre, PA 18705  
 Phone: 570-825-2741 • Fax: 570-825-2852  
 For Product Information Call: 1-800-433-2232

L03-246  
 Printed in U.S.A. Rev. 3/09  
 Information and specifications are subject to change without notice. Please confirm at time of order.  
 Copyright © 2003 InterMetro Industries Corp.